



FlexLink S2B

Switch Matrix 8:24, extended L-Band (850 - 2450MHz)

Made
in
Germany

GENERAL

The FlexLink S2B in 1RU/19" rack-mount design represents a 8:24 L-Band Switch Matrix. This unit features an efficient, reliable and space saving solution for today's and future L-Band signal management applications and allows to switch/route up to 8 independent L-Band signals to up to 24 outputs without limitations and interferences (any input can be routed to one or all outputs) while all combinations of in- and outputs are freely configurable locally and remotely.

The new FlexLink S2B is a future proof Switch Matrix now with widened bandwidth of 850...2450MHz, also supporting the extended L-Band (850-2450MHz) and L-Band (950 - 2150MHz) frequency ranges making it a perfect solution also for KA-Band and HTS applications.

The unit additionally features variable gain-control, switchable LNB-supply, RF power monitoring and 1:1 redundant dual power-supply. Isolation, linearity and frequency response values are at the highest level assuring excellent and stable operation with superior RF performance and signal quality.

The FlexLink S2B is equipped with a front-side LC-Display and keypads for user-friendly local configuration. Remote configuration can be done via its rear-side Ethernet-Interface or RS232-interface ([http/WebGUI](http://WebGUI), SNMP) while it can also be integrated into a management and control system (NMS or M&C) via SNMP.

The FlexLink S2B is an ideal platform for flexible signal switching/routing applications and perfectly suited for integration into Teleports, Satellite Earth-Stations as well as Broadcasting and CATV/IPTV headend architectures.

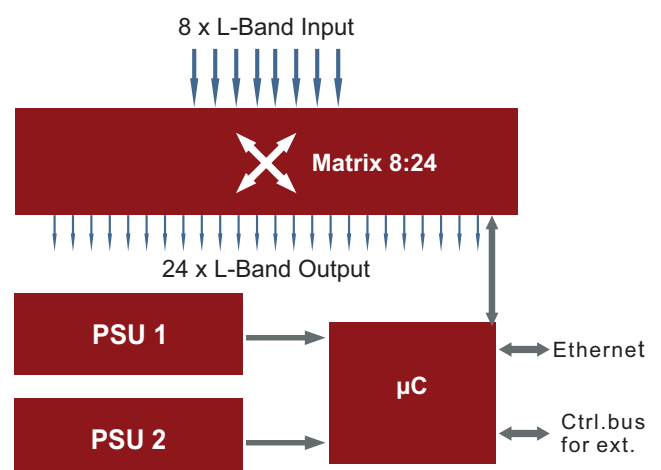


...pictures comparable, updated pictures coming soon

FEATURES & BENEFITS

- Space saving 1RU/19" rack-mount design
- Extended L-Band frequency 850 - 2450MHz, ready for KA-Band and HTS applications
- Low power-consumption and heat generation
- 8:24 switching/routing configuration
- Available with 50Ohm or 75Ohm impedance/connectors
- In- and output combinations freely configurable
- No routing limitations
- Features variable gain-control (@ any input)
- Supports switchable LNB-supply 13/15/18V, 22kHz, 400mA current monitoring (@ any input)
- RF power monitoring (@ any input), power detection 60dB dynamic range with programmable alarm window
- Port matching, all ports 16dB typ.
- Superiour RF performance, signal quality and stability
- 1:1 redundant power supply
- Front side LC-Display & keypads for local configuration
- Remote control via Ethernet-interface ([http./WebGUI](http://WebGUI), SNMPv2c)
- Admin. & User login protection

BLOCK DIAGRAM



ORDER INFORMATION

- **FlexLink S2B-50S:** 8:24 L-Band Switch Matrix, 50 Ohm SMA(f)
- **FlexLink S2B-50B:** 8:24 L-Band Switch Matrix, 50 Ohm BNC(f)
- **FlexLink S2B-75F:** 8:24 L-band Switch Matrix, 75Ohm F(f)
- **FlexLink S2B-75B:** 8:24 L-Band Switch Matrix, 75 Ohm BNC(f)



FlexLink S2B

Switch Matrix 8:24, extended L-Band (850 - 2450MHz)

Made
in
Germany

TECHNICAL SPECIFICATIONS

➤ Dimensions/unit:	1RU/19" rack-mount	➤ Insertion loss:	0dB typ., ±1,0dB max.
➤ Weight/unit:	approx. 6 kg	➤ Output P1dB:	+10dBm
➤ Power-supply:	85...230V, 50/60Hz, 1:1 redundant	➤ Frequency response:	±1.0dB typ, ±1.5dB max.
➤ Power-consumption:	<22W (without LNB-supply)	➤ IMA3 @ -10dBm:	> -50dBc
➤ Frequency range:	850 - 2450MHz (extended L-Band)	➤ RF power monitoring:	60dB dynamic range (@ any input) with configurable alarm window
➤ Capacity:	8:24 (8 x input / 24 x output)	➤ Switchable LNB supply:	13/15/18V; 22kHz, 400mA (@ any input)
➤ Connectors (IN/OUT):	50Ohm SMA(f)/BNC(f) or 75Ohm F(f)/BNC(f)	➤ Local control:	LC-Display, keypads
➤ RF Input power:	-10dBm, 0dBm max.	➤ Remote control:	100MBit Ethernet-Interface WEB-GUI (http://SNMPv2c)
➤ Input level control:	Monitoring threshold adjustment	➤ Environmental:	ETSI En300, Part 1-3, Class 3.1
➤ Variable gain-control:	±10dB (@ any input)	➤ EMC / Safety:	EN 50083-2/EN 60950-1
➤ Input Return loss:	16dB typ.	➤ Operating temperature:	0...45°
➤ Output Return loss:	16dB typ.	➤ Storage temperature:	-10...70°C
➤ Isolation	≥50dB typ. (Input/Input, Input/Output, Output/Output)	➤ Humidity:	90% non condensing
➤ Noise figure:	≤6dB in unit	➤ RoHS:	Compliant

APPLICATION EXAMPLE

