

FlexLink RSC201 series

Single, Dual or Quad 2:1 broadband Redundancy Switches

Made
 in
 Germany

GENERAL

The FlexLink RSC201 are professional 2:1 redundancy switch units in 1RU/19" rack-mount design operating at a broadband frequency range of 5...2.500MHz. The FlexLink RSC 2:1 redundancy switch's output port can be switched to one input port manually or automatically while all input signals are individually monitored considering the predefined threshold level. The units provide alarming and also controls the switching independently. The unit is designed to allow redundancy switching between an active unit to a back-up unit so to assure constant and stable RF signal availability.

The units are available either with Single 2:1, Dual 2:1 (2 x 2:1) or Quad 2:1 (4 x 2:1) redundancy-switch configuration.

The FlexLink RSC201 units also feature 1:1 redundant dual power-supply while front-side LED's indicating RF-port and power-supply status. The variant FlexLink RSC201-L also supports switchable LNB-supply (@ any input) while optionally the units are available with DC-through voltage via active port enabling DC-supply of interconnected devices.

The units have a front-panel LC-Display/keypads for user-friendly local configuration. Remote access, and configuration can be done via an rear side Ethernet-Interface (WebGUI/SNMP) while it can also be integrated into a third party management and control system (NMS or M&C) via SNMP.

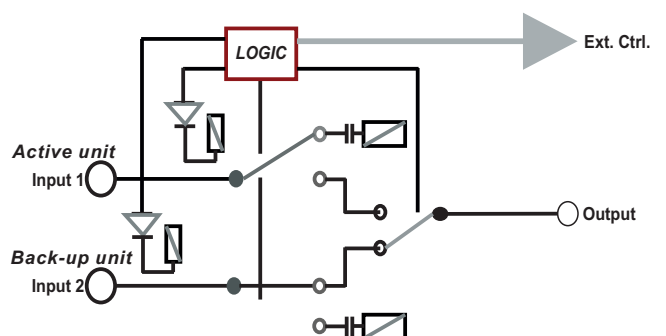
This FlexLink RSC201 redundancy-switches are perfectly suited for integration in Teleports, Satellite Earth-Stations as well as Broadcasting and Cable/IPTV headend architectures providing excellent and stable performance during operation while highest RF performance is assured.



FEATURES

- Operating frequency-range 5...2.500MHz
- Available as Single 2:1, Dual 2:1 (2 x 2:1) and Quad 2:1 (4 x 2:1) redundancy-switches
- Supports autonomous switching for manual or automatic switching
- RF-power monitoring @ all inputs with threshold level control for automatic switching (each 2:1 redundancy-switch board individually)
- Remote and front-side alarm monitoring/control (each 2:1 redundancy-switch module individually)
- Features switchable LNB-supply (13/15/18V, 22kHz)*
*FlexLink RSC-201L
- Optionally with DC-through voltage via active port (30V max., 1.5A)
- 1:1 redundant dual power-supply (hot swappable)
- Front-side status LED's indicating RF-port and power-supply status
- Local configuration via front side LC-Display/keypads
- Remote configuration via Ethernet-Interface (<http://WebGUI/SNMPv2c>) *RS232-interface available upon request
- Superior RF-performance and signal quality

FUNCTIONAL BLOCK-DIAGRAM 2:1 broadband redundancy switch



FlexLink RSC201 series

Single, Dual or Quad 2:1 broadband Redundancy Switches



TECHNICAL SPECIFICATIONS

➤ Dimensions:	1RU/19" rack-mount, approx. 260mm deep	➤ RF-Power Detector all inputs:	-40dBm...+10dBm dyn. range with threshold level control for automatic switching
➤ Power supply:	85...230V, 50/60Hz; 1:1 redundant (hot-swappable)	➤ Alarming/Monitoring:	Remote and front side alarm, monitoring & control
➤ Power consumption:	<10W	➤ LNB supply*:	Switchable 13/15/18V/22kHz, 400mA (@ any input) *only FlexLink RSC201-L
➤ Frequency-range:	5...2.500MHz	➤ DC-through voltage:	30V max., 1.5A* (via active port) *Option 081
➤ Switching-functions:	Single 2:1 / Dual 2:1 (2 x 2:1) Quad 2:1 (4 x 2:1) *see Order-Information	➤ Local control:	LC-Display/keypads, status LED's
➤ Switching configur.:	Autonomous switching manually or automatically	➤ Remote-control:	Ethernet-interface (http/WebGUI, SNMPv2c) *RS232-interface upon request
➤ Switching Cycles:	10E6 min.	➤ Operating temperature:	0°C...45°C
➤ Impedance/connect.:	50Ohm SMA(f) or 75Ohm F(f)	➤ Storage temperature:	-10°C...65°C
➤ Insertion loss:	-1,5dB @ 2,5GHz max.	➤ Operating humidity:	90% non condensing
➤ Return loss:	18dB all ports	➤ RoHs:	Compliant
➤ Isolation:	>60dB		
➤ Damage Level:	+30dBm		

ORDER INFORMATION

➤ FlexLink RSC201:	Broadband Redundancy Switch 2:1, 50Ohm SMA(f), 1RU/19"
➤ FlexLink RSC201 Dual:	Dual Broadband Redundancy Switch 2 x 2:1, 50Ohm SMA(f), 1RU/19"
➤ FlexLink RSC201 Quad:	Quad Broadband Redundancy Switch 4 x 2:1, 50Ohm SMA(f), 1RU/19"
➤ FlexLink RSC201-75:	Broadband Redundancy Switch 2:1, 75Ohm F(f), 1RU/19"
➤ FlexLink RSC201-75 Dual:	Dual Broadband Redundancy Switch 2 x 2:1, 75Ohm F(f), 1RU/19"
➤ FlexLink RSC201-75 Quad:	Quad Broadband Redundancy Switch 4 x 2:1, 75Ohm F(f), 1RU/19"

Verions with switchable LNB-supply

➤ FlexLink RSC201-L:	Broadband Redundancy Switch 2:1, 50Ohm SMA(f), LNB-supply, 1RU/19"
➤ FlexLink RSC201-L Dual:	Dual Broadband Redundancy Switch 2 x 2:1, 50Ohm SMA(f), LNB-supply, 1RU/19"
➤ FlexLink RSC201-L Quad:	Quad Broadband Redundancy Switch 4 x 2:1, 50Ohm SMA(f), LNB-supply, 1RU/19"
➤ FlexLink RSC201-75-L:	Broadband Redundancy Switch 2:1, 75Ohm F(f), LNB-supply, 1RU/19"
➤ FlexLink RSC201-75-L Dual:	Dual Broadband Redundancy Switch 2 x 2:1, 75Ohm F(f), LNB-supply, 1RU/19"
➤ FlexLink RSC201-75-L Quad:	Quad Broadband Redundancy Switch 4 x 2:1, 75Ohm F(f), LNB-supply, 1RU/19"

OPTIONS

➤ Option 081:	DC-through voltage, 30V max., 1.5A, via active port
----------------------	---

RF-Design | Marienburger Str. 3 | 64653 Lorsch | Germany | www.rf-design-online.de

HQ / R&D / Manufacturing: Tel: +49 (0) 6251 80 384-0 | Fax: +49 (0) 6251 80 834-90 | eMail: info@rf-design-online.de

Sales: Tel: +49 (0) 6251 80 384-22 | Mobile: +49 (0) 175 4379 860 | eMail: contact@rf-design-online.de

Support: Tel: +49 (0) 6251 80 384-23 | Mobile: +49 (0) 171 1967 044 | eMail: support@rf-design-online.de