

LA1000 COMPACT LINE AMPLIFIER



- Outdoor aluminium casting case
- Splittable high-levelled output
- Internal return path hybrid module
- Bypass input
- 1GHz GaAs or GaN Power-doubler hybrids
- Remote or local powered switching power supply
- Pilot control option
- Status monitoring option

TECHNICAL SPECIFICATIONS

RF parameters

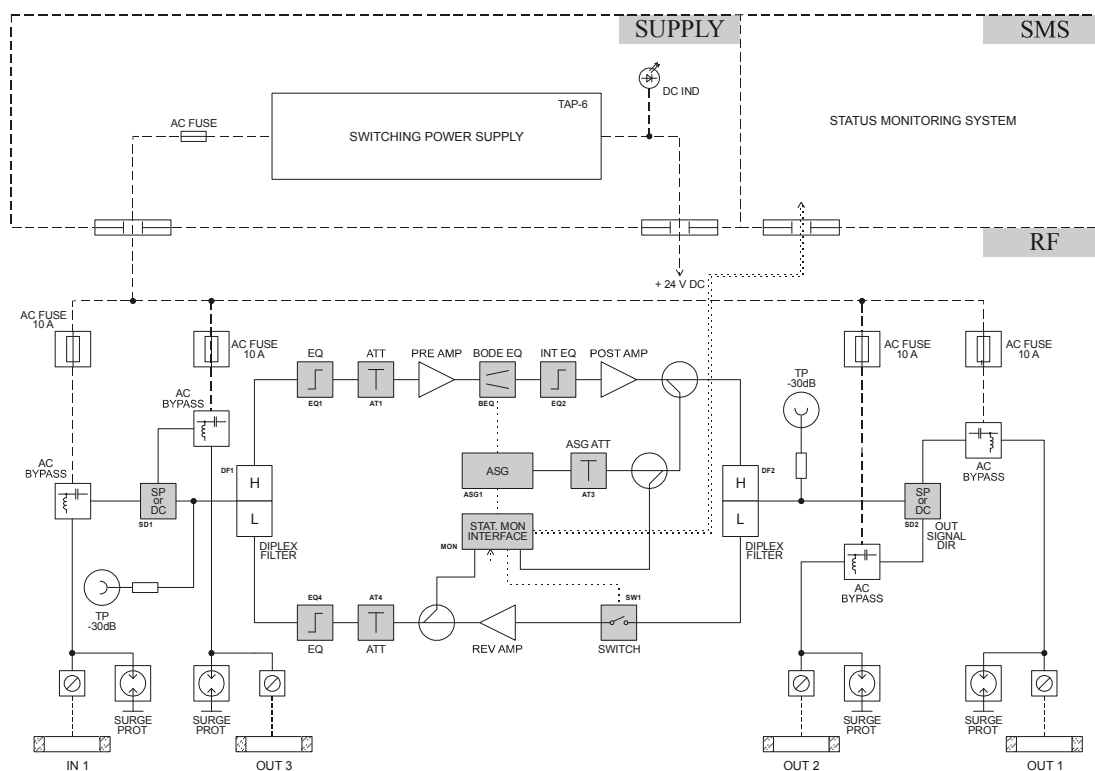
	LA10xxC-xx	LA10xxD-xx
Amplifier-module	GaAs PD hybrid	GaN PD hybrid
Forward path bandwidth [MHz]	47-1000 or 85-1000 or 105-1000	
Return path bandwidth [MHz]	5-30 or 5-65 or 5-85	
Diplex filter type [MHz]	30/47, 65/85, 85/105 ⁽¹⁾	
Forward path gain [dB]	36 / 40 / 44 ⁽¹⁾	
Flatness [dB]	±0.75	
CTB [dB]	-62 ⁽³⁾	-68 ⁽⁴⁾
XMOD [dB]	-59 ⁽³⁾	-64 ⁽⁴⁾
CSO [dB]	-64 ⁽³⁾	-70 ⁽⁴⁾
CIN [dB]	-	61 ⁽⁴⁾
Manual level setup (2dB steps) [dB]	Plug-in 0-20	
Manual TILT setup (2dB steps) [dB]	Plug-in 0-22	
Breakpoint frequency of TILT [MHz]	302, 606, 750, 862, 1000	
ASG insertion loss (20°C) [dB]	6.5	
ASG control range [dB]	±4	
ASG flatness [dB]	±0.5	
Noise figure [dB]	6	
Testpoints' attenuation (input, outputs) [dB]	-30±1	
Return loss (40MHz -1.5dB/octave) [dB]	18	
Return path gain [dB]	20, 25	
CTB in return path [dB]	-69 ⁽²⁾	
CSO in return path [dB]	-70 ⁽²⁾	
Return path TILT [dB]	Plug-in 2, 4, 6, 8, 10	
Breakpoint TILT frequency [MHz]	30, 65, 85	
Connecting impedance [Ω]	75	
Output splitter, directional coupler [dB]	Plug-in 4, 8, 12, 16	
Screening factor [dB]	80	

Specifications are subject to change without notice!

General parameters	LA10xxR-A	LA10xxL-A
Maximum power consumption [W]	25	27
Power supply voltage [VAC]	~ 30-65; ~ 35-90	~ 230 ±20% 50Hz
Class of electric shock protection	III.	II.
Maximum current feed-through [A]	10	-
Hum modulation [dB]	70	-
Degree of protection		IP 65
Temperature range [°C]		-40...+60
Connector type		5/8"
Dimensions [mm]		212x191x80
Weight [kg]		2.4

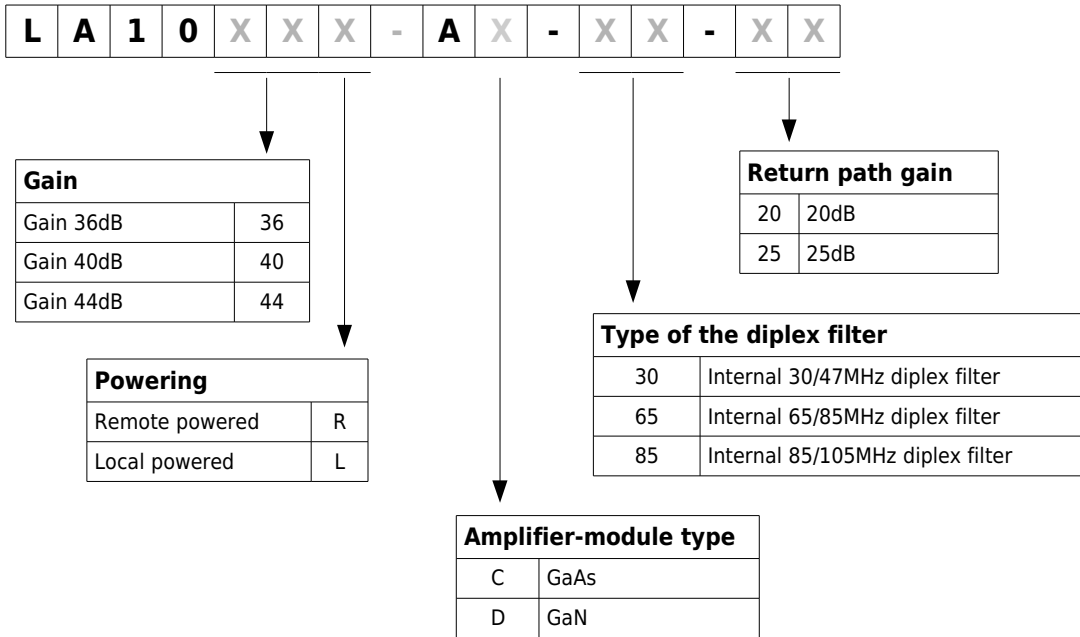
- (1) The value of gain and the diplex filters can be found in the typechart
- (2) Measured with 7 channels load in case of 110dBμV output level
- (3) 132 ch.flat, Vout:44dBmV
- (4) 79 ch. 7dB tilted, Vout:50dBmV @ 550MHz, 75digital ch. -6dB offset

BLOCK DIAGRAM



Specifications are subject to change without notice!

ORDERING INFORMATION



Options

Required modules

ASG option	1pc ASG535-C, 1pc BEQxxx-A, 1pc ATxx
Monitoring option	1pc NMT-COM3, 1pc RSW2-A or 1pc RSW2-H20

Specifications are subject to change without notice!