

OCM-1002 2 SLOT MAINFRAME WITH ELEMENT MANAGEMENT FUNCTION (1U SIZE)



- Able to handle 2 optical receivers/transmitters or RF amplifiers
- Connection to the Monitoring System
- 1U high construction
- 10BaseT interface
- External redundant power supply connection possibility of 24 V
- Horizontal airflow, the devices can be mounted on each other
- SNMP compatible

GENERAL DESCRIPTION

If there is limited rack space on the headend or only two moduleslots are enough, this mainframe can be used. The rack has only one main power supply, but redundant powering can also be realized with an external power supply (24V / 1.6A min.).

TECHNICAL PARAMETERS

Power supply parameters

Maximum output power of the power supply [W]	40
Maximum output current of the power supply [A]	1.6
Internal supply voltage [VDC]	24
Input voltage range [VAC]	85...264

Communication parameters

Physical layer protocols	10Base-T, RJ-45, RS485
Data link layer protocols	IEE-803.2 (Ethernet) MAC (SCTE 25-2) ⁽¹⁾
Network layer protocols	IETF RFC 891 (IPv4 - Internet Protocol v4) IETF RFC 826 (ARP - Address Result Protocol) IETF RFC 903 (RARP - Reverse Address Result Protocol) IETF RFC 792 (ICMP - Internet Control Message Protocol) 'Echo' and 'Echo reply' messages
Transport layer protocols	IETF RFC 768 (User Datagram Protocol)
Application layer protocols	RFC 2131 (DHCP - Dynamic Host Configuration Protocol) RFC 1067 (SNMP - Simple Network Management Protocol) ⁽¹⁾

General parameters

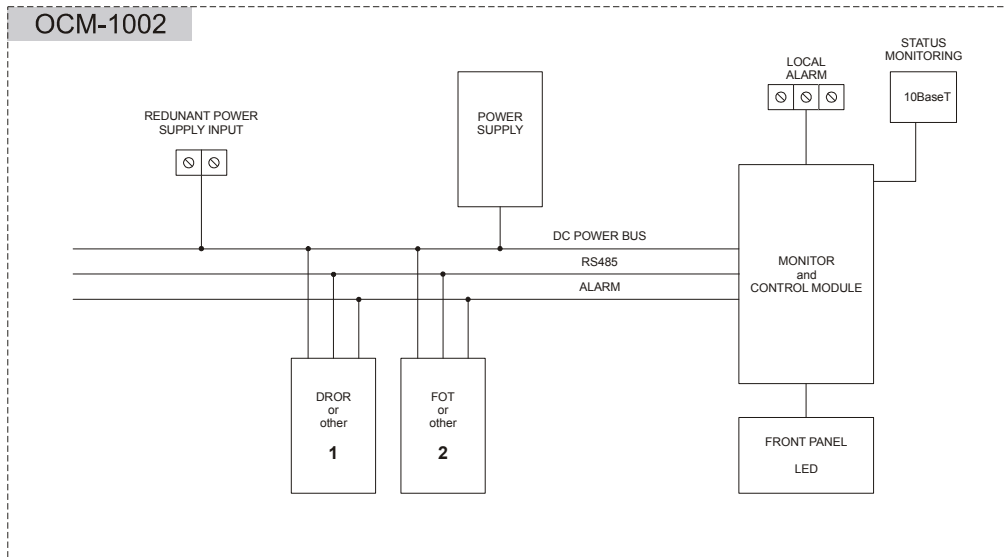
Number of module-slots [pcs]	2
Interface to the monitoring system	10BaseT
Internal communication	RS485
Temperature range [°C]	0...+50
Multiple errorsignal connectors	NC-COM, NO-COM

Specifications are subject to change without notice!

Mounting width [mm]	428.6 (Standard 19")
Dimensions [mm]	483x300x43.5
Weight [kg]	3.3

(1) In case of SNMP version

BLOCK DIAGRAM



ORDERING INFORMATION

O C M - 1 0 0 2 - X



Communication standard	
C	Comtech (Default)
S	SNMP standard

Specifications are subject to change without notice!